

# HÆGER



FM Radio with Bluetooth Speaker / Rádio FM com altifalante Bluetooth  
Radio FM con altavoz Bluetooth / Radio FM et haut-parleur  
Bluetooth / Ραδιόφωνο FM με ηχείο Bluetooth

**Retro Bluetooth \* RB-GRE.001A**

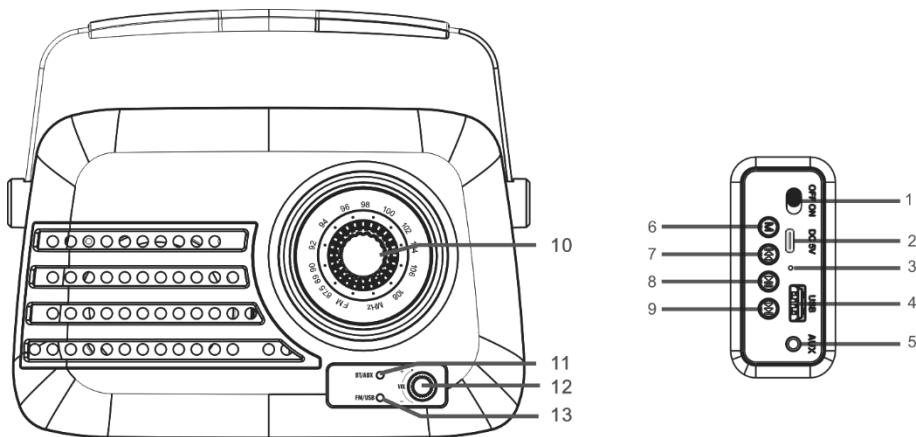


Download  
Multi-language file



CE RoHS

User instructions / Instruções de uso  
Instrucciones de uso / Mode d'emploi  
Οδηγίες χρήστη



- This product is for indoor use only.
- Este produto destina-se apenas a utilização em interiores.
- Este producto es sólo para uso en interiores.
- Ce produit ne peut être utilisé qu'à l'intérieur.
- Αυτό το προϊόν προορίζεται μόνο για χρήση σε εσωτερικούς χώρους.



- **Please read the manual carefully and keep it for future reference.**
- Leia atentamente o manual e guarde-o para referência futura.
- Lea atentamente el manual y consérvelo para futuras consultas.
- Veuillez lire attentivement le manuel et le conserver pour toute référence ultérieure.
- Διαβάστε προσεκτικά το εγχειρίδιο και φυλάξτε το για μελλοντική αναφορά.

## English

Thank you for having chosen a HÆGER product.

The HÆGER products have been produced to think about the welfare of the consumer privileging the most raised standards of quality, functionality and design. We are sure you will be happy with this appliance.

Before using your radio for the first time please read these instructions thoroughly and retains them for future reference.

### INTENDED USE

This radio is exclusively intended as an entertainment device, as a receiver for frequency modulation (FM) radio stations and only for private non-commercial use.

### IMPORTANT SAFETY INSTRUCTIONS

Read carefully before use. It is important that this instruction manual should be retained with the appliance for future reference. These warnings have been provided in the interest of safety. You **MUST** read them carefully before installation or use.

- Check that the voltage of the main circuit corresponds with the rating of the appliance before operating.
- Please ensure that the appliance is used on a stable, level, and heat resistant surface.
- **DO NOT** immerse cords, plugs or any part of the appliance in water or any other liquid.
- Close supervision is necessary when any appliance is used by or near children or pets.
- This appliance can be used by children aged from 8 years and above and persons with reduced physical, sensory or mental capabilities or lack of experience and knowledge if they have been given supervision or instruction concerning use of the appliance in a safe way and understand the hazards involved.
- Children should not play with the appliance.
- The appliance is approved for operation in dry, closed rooms only. Do not operate the device nearby water, such as in bathrooms or nearby swimming pools.
- Avoid exposure to extremes temperatures (<+5°C / > +35°C), direct sunlight, moisture, sand, dust or mechanical shock. Never leave in a car parked under the sun.
- **CAUTION!** Ventilation — The appliance should be situated so that its location or position does not interfere with its proper ventilation.

- The appliance may not be subjected to strong vibrations or heavy mechanical strain.
- The appliance may not be exposed to excessive moisture (due to dripping or sprayed water, for example).
- Do not place any recipients filled with liquids, such as glasses or vases, on top of or directly next to the appliance. They could fall over, causing water to enter the appliance. Never pour out liquids above the appliance.
- Do not place any small objects, such as coins or paper clips, on the appliance since they could fall inside the appliance.
- Never place the appliance on an unstable or movable surface. Persons could be injured or the appliance damaged by it falling down.
- Do not place any naked flames such as those of burning candles on or next to the appliance.
- Only use the appliance in a moderate climate, not in tropical environments.
- In vehicles or buildings, radio reception may be difficult or noisy. Try listening near a window.
- Since a strong magnet is used for the speaker, keep personal credit cards using magnetic coding or spring-wound watches away from the unit to prevent possible damage from the magnet.
- When the casing becomes soiled, clean it with a soft dry cloth moistened with mild detergent solution. Never use abrasive cleansers or chemical solvents, as they may deform the casing.
- **Caution!** Do not allow small children to play with the foil as there is a danger of suffocation!

## IMPROVING THE RECEPTION

**FM:** Extend the telescopic antenna and adjust the angle for optimum reception.

**Note:** Adjust the direction of the antenna by holding the bottom of it. The antenna can be damaged when you move the antenna with excessive force.

## PACKAGE CONTENTS

- 1x Speaker Radio
- 1x AUX cable
- 1x USB-C charging cable
- 1x User manual

## DEVICE DESCRIPTION

- |                        |                        |
|------------------------|------------------------|
| 1. ON/OFF button       | 2. USB-C Charging Port |
| 3. Charging Indicator  | 4. USB Port            |
| 5. AUX Jack            | 6. MODE                |
| 7. Previous Track      | 8. Play/Pause          |
| 9. Next Track          | 10. FM Tuning knob     |
| 11. BT / AUX Indicator | 12. Volume             |
| 13. FM / USB Indicator |                        |

## BEFORE FIRST USE CHARGE THE BATTERY

- Insert the small connector of the USB-C Charging Cable into the Charging port (2) on the back of the radio device. Insert the large connector into the USB port on a computer, USB charging device, or 5V USB adapter (Not Included) and plug into a wall outlet.
- The LED indicator (3) will turn RED while charging and go off when fully charged. On low power, a tone will be heard, indicating that the radio device needs to be charged.

## IMPORTANT NOTE ON LITHIUM-ION BATTERIES

1. *PRIOR to using the unit for the first time, please charge fully the battery*
2. *Charge the battery regularly after each use. Don't wait until it is discharged!*
3. *DON'T allow the battery to discharge completely, otherwise it will lose 20% of its capacity or even be totally damaged! If the voltage becomes too low, the internal circuits are not powered anymore and it will become impossible to recharge the battery!*
4. *If you don't use the unit for a longer period of time, it is recommended to charge it at 40% of its capacity and check/charge it once per month.*

**\*\* BATTERIES ARE NOT COVERED BY THE WARRANTY \*\***

- ***We cannot be held responsible for damaged batteries further to the non-observance of these basic rules.***

## BASIC OPERATION FOR YOUR RADIO

### Bluetooth Operation

This unit is equipped with a Bluetooth function which allows for audio to be played wirelessly from any Bluetooth enabled device.

Keep the radio device and the Bluetooth device within 1m of each other during the pairing process.

To connect the unit to a compatible Bluetooth device, carry out the following steps:

- 1) Press the Power On/Off button to turn the unit on.
- 2) Press the M button until Bluetooth mode is selected. There will be a sound prompt and the corresponding indicator at the front of the unit will flash blue fast to show Bluetooth mode has been selected.
- 3) Turn on your Bluetooth enabled device and activate the Bluetooth function.

- 4) Search for and select the Bluetooth device “**RB-GRE.001A**”.
- 5) If required, enter the password “0000” to confirm and finalize pairing.
- 6) Once the radio device and your device are successfully paired there will be an audible signal.

#### **Notes:**

- The speaker will automatically pair with previously paired devices.
- **To connect to a new device, firstly disconnect the current connection on your existing device (there will be an audible sound prompt) and then repeat the above instructions on the different device.**
- Once the device has been connected to the Bluetooth, use the media controls on the source device or the unit's control panel to control playback and volume output. If controlling playback through the unit's control panel. use the Previous and Next buttons to skip forwards or backwards across a playlist, and the Play/Pause button to start or interrupt playback.
- Playback volumes may have to be adjusted independently on the source device and the unit for optimal playback performance.

#### **Using with a Wired Device**

To use the speaker as a wired device, plug one end of the 3.5 auxiliary lead into the AUX jack on the back panel of the unit and the other end into your device or computer's headphone jack. Use the volume control (12) to set the desired volume.

#### **Using USB playing**

Insert a USB device into USB port to play music stored on the drive. The radio will automatically play songs from the USB. Use button (7) to switch to previous song, button (8) to control play and pause the music, button (9) to switch to next song.

#### **Selecting Playing Modes**

This radio is equipped with Bluetooth, AUX, USB and FM playing modes. Press the M button on the unit's control panel to cycle between the available playing modes. The corresponding indicator at the front of the unit will light up to show each mode has been selected, as follows:

- The indicator will flash blue quickly when Bluetooth mode is selected, then flash blue slowly after a Bluetooth device is connected.
- The indicator will flash red slowly when AUX mode is selected.
- The FM/USB indicator will flash blue light slowly when play in USB mode and will illuminate solid red when FM mode is selected.
- Press the M mode again when a specific playing mode has been selected to switch to a different mode.

## **FM radio**

For best reception, extend the FM antenna. You may need to adjust or position the antenna for certain stations.

Use knob (10) to tune the FM stations For Volume adjustment turn the VOLUME knob (12).

## **Adjusting the Volume**

Rotate the volume control dial at the front of the unit while the unit is turned on to adjust output volume. Rotate this dial clockwise to increase the volume, or counterclockwise to decrease it.

## **CLEANING**

Clean the radio casing only using a slightly damp cloth. To remove persistent dirt, add a few drops of mild dishwashing liquid to the damp cloth. When cleaning the device, make sure that no moisture seeps into the radio!

## **WARNING**

The radio contains no user-serviceable parts. The warranty is void if the casing of the radio is opened! No liability will be taken and no guarantee will be made for damages due to opening the case of the radio, resulting from repair attempts not made by qualified experts and use of the radio for purposes other than intended!

## **TECHNICAL DATA**

Model:.....	RB-GRE.001A
Speaker output: .....	5W
Amplifier specifications:.....	3W
Bluetooth Version: .....	5.3
Transmission distance:.....	10m
Signal to noise ratio: .....	≥65db
Transmission frequency: .....	2402-2480MHz
Max. RF output power: .....	4.53dBm
FM Band: .....	87.5MHz - 108MHz
Input voltage: .....	5V $\pm$ 1A
Battery: .....	Lithium 3.7V $\pm$ 1500mAh 5.5Wh
Dimensions: .....	232x87x191mm
Weight: .....	± 635g

## **CONFORMITY**



This product complies with essential requirements of the Radio Equipment Directive 2014/53/EU and has been constructed in accordance with the latest Health and Safety requirements and Protection requirements relating electromagnetic compatibility.

## ENVIRONMENT



### Please consider our environment

Do not dispose of the appliance in your normal domestic waste. **This product is subject to the European guideline 2012/19/EU.**

Dispose of the appliance through an approved disposal centre or at your community waste facility. Observe the currently applicable regulations. In case of doubt, please contact your waste disposal centre.

Dispose of all packaging materials in an environmentally responsible manner.

**NOTE:** You should remove all batteries before disposing of the radio. Do not dispose of the batteries in the household waste! Return the used batteries to an appropriate recycling collection centre. Used batteries can usually be returned to the store in which they were bought.

## GUARANTEE

### Warranty Terms and Conditions

1. The product is guaranteed for the period stipulated by the legislation where it is placed on the market, starting from the date of purchase, against manufacturing defects and/or workmanship. The lack of conformity manifested in this period is presumed to exist at the date of purchase. After this period, it is for the customer to prove that the lack of conformity already existed at the time of delivery.
2. If, during the warranty period, the product is defective in normal use, the buyer should contact the selling establishment and send the appliance to the place indicated by the seller.
3. The warranty is only valid upon presentation of the invoice proving the purchase and the completed warranty certificate (indicating the date of purchase, the name of the dealer, the reference of the model, and it is also recommended to indicate the serial number and lot number).
4. The importer/seller reserves the right to refuse warranty assistance in the event that such information has been deleted or altered after the original purchase of the product.
5. The responsibility of the importer/seller includes in particular the costs of repairing and/or replacing the unit covered by the warranty with the reservation of the right to replace it with an equivalent product, in cases where it is not possible to repair it.
6. The warranty does not apply to problems that are not directly related to defects in material, design or workmanship.
7. This product is an appliance and is intended for home use only. The warranty will be void if the product is used for professional purposes.
8. The warranty does not cover damage caused by misuse, improper installation, spillage, external factors, or intentional damage.



9. The warranty does not cover damage resulting from falls, use of excessive force, blows, exposure to extreme environmental conditions or deterioration caused by the normal use of plastic parts or keyboards, as well as the use of batteries other than those specified in this manual.
10. The warranty does not cover installation and programming by the dealer. In particular, no claim for installation and free programming by the reseller may be accepted.
11. The warranty does not cover deficiencies that insignificantly impair the operation of the appliance. Other costs, such as installation, transportation and travel of the technician are expressly excluded from the warranty.
12. The applicability of the warranty presupposes that the appliance is sent to the seller or place indicated by him, complete and in well-protected packaging (if possible, in its original packaging) and accompanied by its sheet or warranty card duly filled out and proof of purchase.
13. If after verification, it is found that there are no reasons for the claim, or that the product is not defective, the inherent costs will be imputed to the customer, and the dealer is authorized to charge those costs to the customer.
14. The warranty will be void when it shows signs that an unauthorized person has attempted to carry out repairs, modifications or replacement of parts on the appliance.
15. Repairs carried out after the end of the warranty period are subject to costs.
16. This warranty does not affect your legal rights that you may have as a consumer under applicable national law governing the purchase of products where the product is sold.
17. **Warranty Period:**

**European Union countries** - European Directives (EU) 2019/771 and (EU) 2019/770 apply on certain aspects of contracts for the purchase and sale of movable property and transposed into the national laws of their countries.

**Other countries** - national legislation on consumer rights in their country applies. In the case of no official legislation, the guarantee shall be applied at the discretion of the importer placing the product on the market or the seller establishment.

# Português

## Estimado Cliente

Obrigado por ter escolhido um produto HÆGER.

Os produtos HÆGER foram produzidos para pensar no bem-estar do consumidor, privilegiando os padrões mais elevados de qualidade, funcionalidade e design. Estamos certos de que ficará satisfeito com este aparelho.

Antes de utilizar o seu rádio pela primeira vez, leia atentamente estas instruções e guarde-as para referência futura.

## UTILIZAÇÃO PREVISTA

Este rádio destina-se exclusivamente a ser utilizado como aparelho de entretenimento, como recetor de estações de rádio de modulação de frequência (FM) e apenas para uso privado não comercial.

## INDICAÇÕES DE SEGURANÇA

Leia atentamente antes de utilizar o aparelho. É importante que este manual de instruções seja mantido com o aparelho para referência futura. Estes avisos foram fornecidos por razões de segurança. É OBRIGATÓRIO lê-los atentamente antes da instalação ou da utilização.

- Verifique se a tensão do circuito principal corresponde à classificação do aparelho antes de operar.
- Por favor, assegure-se de que o aparelho é utilizado numa superfície estável, nivelada e resistente ao calor.
- NÃO mergulhe os cabos, as fichas ou qualquer parte do aparelho em água ou qualquer outro líquido.
- É necessária uma supervisão apertada quando qualquer aparelho é utilizado por ou perto de crianças ou animais de estimação.
- Este aparelho pode ser utilizado por crianças a partir dos 8 anos de idade e por pessoas com capacidades físicas, sensoriais ou mentais reduzidas ou com falta de experiência e conhecimentos, desde que tenham recebido supervisão ou instruções sobre a utilização do aparelho de forma segura e compreendam os perigos envolvidos.
- As crianças não devem brincar com o aparelho.
- O aparelho está aprovado para funcionar apenas em locais secos e fechados. Não opere o dispositivo com água nas proximidades, como em casas de banho ou piscinas próximas.
- Evite a exposição a temperaturas extremas (<+5°C / > +35°C), luz solar direta, humidade, areia, pó ou choque mecânico. Nunca deixar o aparelho num carro estacionado ao sol.

- **CUIDADO! Ventilação** - O aparelho deve ser colocado de modo a que a sua localização ou posição não interfira com a sua ventilação adequada.
- O aparelho não deve ser sujeito a fortes vibrações ou a grandes esforços mecânicos.
- O aparelho não deve ser exposto a humidade excessiva (por exemplo, devido a pingos ou borrifos de água).
- Não coloque recipientes cheios de líquidos, como copos ou jarras, em cima ou diretamente ao lado do aparelho. Estes recipientes podem cair e provocar a entrada de água no aparelho. Nunca deitar líquidos por cima do aparelho.
- Não coloque objetos pequenos, como moedas ou clips, em cima do aparelho, pois podem cair dentro do aparelho.
- Nunca coloque o aparelho sobre uma superfície instável ou móvel. A queda do aparelho pode provocar ferimentos em pessoas ou danificar o aparelho.
- Não colocar chamas nuas, como as de velas acesas, em cima ou ao lado do aparelho.
- Utilizar o aparelho apenas em climas moderados e não em ambientes tropicais.
- Nos veículos ou nos edifícios, a receção do rádio pode ser difícil ou ruidosa. Tente ouvir perto de uma janela.
- Uma vez que é utilizado um íman forte para o altifalante, mantenha os cartões de crédito pessoais com código magnético ou os relógios de mola afastados da unidade para evitar possíveis danos provocados pelo íman.
- Quando a caixa ficar suja, limpe-a com um pano seco e macio humedecido com uma solução de detergente suave. Nunca utilize produtos de limpeza abrasivos ou solventes químicos, pois podem deformar a caixa.
- **Atenção!** Não permita que crianças pequenas brinquem com sacos de plástico, pois existe o perigo de asfixia!

## MELHORAR A RECEÇÃO

**FM:** Estenda a antena telescópica e ajuste o comprimento e o ângulo para a melhor receção.

**NOTA:** Regule a direção da antena segurando na extremidade respetiva. Se mover a antena com demasiada força pode danificá-la.

## CONTEÚDO DA EMBALAGEM

1x Rádio com altifalante

1x cabo AUX

1x cabo de carregamento USB-C

1x manual do utilizador

## DESCRIÇÃO DO DISPOSITIVO

1. Botão ON/OFF
2. Porta de carregamento USB-C
3. Indicador de carregamento
4. Porta USB
5. Tomada AUX
6. MODO
7. Faixa anterior
8. Reproduzir/Pausa
9. Faixa seguinte
10. Botão de sintonização FM
11. Indicador BT / AUX
12. Volume
13. Indicador FM / USB

## ANTES DA PRIMEIRA UTILIZAÇÃO CARREGAR A BATERIA

- Inserir o conector pequeno do cabo de carregamento USB-C na porta de carregamento (2) na parte de trás do dispositivo de rádio. Inserir o conector grande na porta USB de um computador, dispositivo de carregamento USB ou adaptador USB de 5V (não incluído) e ligar a uma tomada de parede.
- O indicador LED (3) fica VERMELHO durante o carregamento e apaga-se quando estiver totalmente carregado. Com pouca energia, ouve-se um sinal sonoro, indicando que o dispositivo de rádio precisa de ser carregado.

## NOTA IMPORTANTE SOBRE AS BATERIAS DE IÕES DE LÍTIO

1. *ANTES de utilizar a unidade pela primeira vez, carregue totalmente a bateria*
2. *Carregue a bateria regularmente após cada utilização. Não espere até que a bateria esteja descarregada!*
3. *NÃO deixe que a bateria se descarregue completamente, caso contrário perderá 20% da sua capacidade ou ficará mesmo totalmente danificada! Se a tensão se tornar demasiado baixa, os circuitos internos deixam de ser alimentados e torna-se impossível recarregar a bateria!*
4. *Se não utilizar a unidade durante um longo período de tempo, recomenda-se que a carregue a 40% da sua capacidade e que a verifique/carregue uma vez por mês.*

**\*\* AS PILHAS NÃO ESTÃO COBERTAS PELA GARANTIA \*\***

- *Não podemos ser responsabilizados por baterias danificadas devido à não observância destas regras básicas.*

## OPERAÇÕES BÁSICAS

### Funcionamento Bluetooth

Esta unidade está equipada com uma função Bluetooth, que permite a reprodução de áudio sem fios a partir de qualquer dispositivo com Bluetooth.

Mantenha o dispositivo de rádio e o dispositivo Bluetooth a uma distância de 1m um do outro durante o processo de emparelhamento.

Para ligar a unidade a um dispositivo Bluetooth compatível, efetue os seguintes passos:

- 1) Prima o botão Ligar/Desligar para ligar a unidade.

- 2) Prima o botão M até selecionar o modo Bluetooth. Haverá um aviso sonoro e o indicador correspondente na parte da frente da unidade piscará rapidamente a azul para mostrar que o modo Bluetooth foi selecionado.
- 3) Ligue o seu dispositivo com Bluetooth e ative a função Bluetooth.
- 4) Procure e selecione o dispositivo Bluetooth "**RB-GRE.001A**".
- 5) Se necessário, introduza a palavra-passe "0000" para confirmar e finalizar o emparelhamento.
- 6) Quando o aparelho de rádio e o seu aparelho estiverem emparelhados com êxito, ouve-se um sinal sonoro.

#### **Notas:**

- O altifalante emparelha automaticamente com os dispositivos emparelhados anteriormente.
- Para ligar a um novo dispositivo, primeiro desligue a ligação atual no dispositivo existente (haverá um aviso sonoro) e, em seguida, repita as instruções acima no dispositivo diferente.
- Depois de o dispositivo ter sido ligado ao Bluetooth, utilize os controlos multimédia no dispositivo de origem ou no painel de controlo da unidade para controlar a reprodução e o volume de saída. Se controlar a reprodução através do painel de controlo da unidade, utilize os botões Anterior e Seguinte para avançar ou retroceder numa lista de reprodução e o botão Reproduzir/Pausa para iniciar ou interromper a reprodução.
- Os volumes de reprodução podem ter de ser ajustados independentemente no dispositivo de origem e na unidade para um desempenho de reprodução ótimo.

#### **Utilização com um dispositivo com fios**

Para utilizar o altifalante como um dispositivo com fios, ligue uma extremidade do cabo auxiliar de 3,5 à tomada AUX no painel traseiro da unidade e a outra extremidade à tomada de auscultadores do seu dispositivo ou computador. Utilize o controlo de volume (12) para definir o volume pretendido.

#### **Utilização da reprodução USB**

Insira um dispositivo USB na porta USB para reproduzir música armazenada na unidade. O rádio reproduzirá automaticamente as músicas gravadas na pen USB. Utilize o botão (7) para mudar para a música anterior, o botão (8) para controlar a reprodução e a pausa da música, o botão (9) para mudar para a música seguinte.

#### **Seleção dos modos de reprodução**

Este rádio está equipado com os modos de reprodução Bluetooth, AUX, USB e FM. Premir o botão M no painel de controlo da unidade para alternar entre os modos de reprodução disponíveis. O indicador correspondente na frente da unidade acende-se para mostrar que cada modo foi selecionado, como se segue:

- O indicador pisca rapidamente a azul quando o modo Bluetooth é selecionado e, em seguida, pisca lentamente a azul quando um dispositivo Bluetooth é ligado.
- O indicador piscará a vermelho lentamente quando o modo AUX for selecionado.

- O indicador FM/USB piscará lentamente a azul quando estiver a ser reproduzido no modo USB e acenderá a vermelho sólido quando o modo FM estiver selecionado.
- Pressione o modo M novamente quando um modo de reprodução específico tiver sido selecionado para alternar para um modo diferente.

## **Rádio FM**

Para uma melhor receção, estenda a antena FM. Pode ser necessário ajustar ou posicionar a antena para determinadas estações.

Utilize o botão (10) para sintonizar as estações FM Para regular o volume, rode o botão VOLUME (12).

## **Ajustar o volume**

Rode o botão de controlo do volume na parte da frente da unidade enquanto a unidade está ligada para ajustar o volume de saída. Rode este botão no sentido dos ponteiros do relógio para aumentar o volume ou no sentido contrário para o diminuir.

## **LIMPEZA**

Limpe a caixa do rádio apenas com um pano ligeiramente humedecido. No caso de sujidades mais difíceis, aplique algumas gotas de um detergente suave sobre o pano húmido. Preste atenção para que durante a limpeza não penetre qualquer humidade no rádio!

## **AVISO**

O rádio não contém peças que possam ser reparadas pelo utilizador. A garantia é anulada se a caixa do rádio for aberta! Não será assumida qualquer responsabilidade nem será dada qualquer garantia por danos causados pela abertura da caixa do rádio, resultantes de tentativas de reparação não efetuadas por peritos qualificados e da utilização do rádio para fins diferentes dos previstos!

## **DADOS TÉCNICOS**

Modelo:.....RB-GRE.001A  
 Saída do altifalante: .....5W  
 Especificações do amplificador: .....3W  
 Versão Bluetooth: ..... 5.3  
 Distância de transmissão: ..... 10m  
 Relação sinal/ruído: .....  $\geq 65$ db  
 Frequência de transmissão: ..... 2402-2480MHz  
 Max. Potência de saída RF: ..... 4.53dBm  
 Banda FM: ..... 87.5MHz - 108MHz  
 Tensão de entrada: ..... 5V $\pm$  1A  
 Bateria: .....Lítio 3.7V $\pm$  1500mAh 5.55Wh  
 Dimensões: ..... 232x87x191mm  
 Peso: .....  $\pm$  635g

## CONFORMIDADE CE



Este produto está em conformidade com os requisitos essenciais da Diretiva de Equipamento de Rádio 2014/53/EU e foi construído de acordo com os mais recentes requisitos de Saúde e Segurança e requisitos de Proteção relacionados com compatibilidade eletromagnética.

## MEIO AMBIENTE

### Tenha sempre presente o nosso meio ambiente

Nunca deite o aparelho no lixo doméstico normal.

### Este produto está em conformidade com a diretiva europeia 2012/19/EU.



Elimine o aparelho através de um serviço de eliminação autorizado ou das entidades de eliminação locais.

Preste atenção às prescrições atuais válidas. Em caso de dúvida entre em contacto com a entidade de eliminação de resíduos.

Elimine todos os materiais de embalagem de forma ecológica.

**NOTA:** Retire imprescindivelmente as pilhas antes de eliminar o rádio. Não elimine as pilhas com os resíduos domésticos! Entregue as pilhas usadas junto de um local de recolha ou eliminação própria. As pilhas usadas podem também ser devolvidas à loja onde foram adquiridas.

## Garantia

### Termos e Condições de garantia

1. O produto é garantido pelo período estipulado pela legislação onde é colocado no mercado, iniciando-se a partir da data de compra, contra defeitos de fabrico e/ou mão-de-obra. A falta de conformidade que se manifeste nesse prazo, presume-se existente à data da compra. Decorrido este prazo cabe ao cliente provar que a falta de conformidade já existia à data da entrega.
2. Se, durante o período de garantia, o produto apresentar qualquer defeito, em situação de utilização normal, o comprador deverá entrar em contacto com o estabelecimento vendedor e remeter o aparelho para o local por este indicado.
3. A garantia só é válida mediante a apresentação da fatura comprovativa da compra e do certificado de garantia preenchido (indicando a data de aquisição, o nome do revendedor, a referência do modelo, sendo ainda recomendada a indicação do número de série e número do lote).
4. O importador/vendedor reserva-se o direito de recusar assistência em garantia no caso de as referidas informações terem sido apagadas ou alteradas após a compra original do produto.
5. A responsabilidade do importador/vendedor inclui nomeadamente os custos da reparação e/ou substituição da unidade coberta pela garantia com a reserva do direito de substituir por um produto equivalente, nos casos em que não seja possível a sua reparação.

6. A garantia não é aplicável a problemas que não estejam diretamente relacionados com defeitos de material, conceção ou mão-de-obra.
7. Este produto é um eletrodoméstico e destina-se apenas a uso doméstico. A garantia perderá validade se o produto for usado para fins profissionais.
8. A garantia não cobre danos causados por uso incorreto, instalação incorreta, derramamento, fatores externos ou danos intencionais.
9. A garantia não cobre danos resultantes de quedas, uso de força excessiva, golpes, exposição a condições ambientais extremas ou deterioração causada pelo uso normal de peças plásticas ou teclados, bem como pelo uso de baterias diferentes das especificadas neste manual.
10. A garantia não cobre a instalação e programação por parte do revendedor. Em particular, não poderão ser aceites reclamação para instalação e programação gratuita por parte do revendedor.
11. A garantia não cobre deficiências que prejudicam de forma insignificante o funcionamento do aparelho. Outros custos, tais como a instalação, transporte e/ou deslocação de técnicos estão expressamente excluídos da garantia.
12. A aplicabilidade da garantia pressupõe que o aparelho seja enviado ao estabelecimento vendedor ou para o local por este indicado, completo e em embalagem bem protegida (se possível na sua embalagem original) e acompanhado da respetiva folha ou cartão de garantia, devidamente preenchida e da prova de compra.
13. Se após a verificação, se concluir que não existem motivos para a reclamação, ou que o produto não apresenta defeitos, os custos inerentes serão imputados ao cliente, estando o revendedor autorizado a cobrar esses custos ao cliente.
14. A garantia perderá validade, quando apresente sinais de que alguma pessoa não autorizada tenha tentado efetuar reparações, modificações ou substituições de peças no aparelho.
15. As reparações realizadas após o final do período de garantia estão sujeitas a custos
16. Esta garantia não afeta os seus direitos legais que possa ter como consumidor ao abrigo da legislação nacional aplicável que rege a compra de produtos onde o produto é vendido.

#### **17. Período de Garantia:**

**Países da União Europeia** - aplicam-se as Diretivas Europeias (EU) 2019/771 e (EU) 2019/770 relativa a certos aspetos dos contratos de compra e venda de bens móveis e transpostas para as legislações nacionais dos respetivos países.

**Outros países** - aplica-se a legislação nacional sobre os direitos do consumidor do respetivo país. Não existindo legislação oficial, a garantia será aplicada segundo o critério do importador que coloca o produto no mercado ou do estabelecimento vendedor.



# Español

## Estimado cliente

Gracias por haber elegido un producto HÆGER.

Los productos HÆGER han sido fabricados pensando en el bienestar del consumidor privilegiando los más elevados estándares de calidad, funcionalidad y diseño. Estamos seguros de que quedará satisfecho con este aparato.

Antes de utilizar su radio por primera vez, lea atentamente estas instrucciones y consérvelas para futuras consultas.

## UTILIZACIÓN

Esta radio está destinada exclusivamente como aparato de entretenimiento, como receptor de emisoras de radio por modulación de frecuencia (FM) y sólo para uso privado no comercial.

## INDICACIONES DE SEGURIDAD

Léalo atentamente antes de utilizar el aparato. Es importante que conserve este manual de instrucciones junto con el aparato para futuras consultas. Estas advertencias se han proporcionado en interés de la seguridad. DEBE leerlas atentamente antes de la instalación o el uso.

- Compruebe que el voltaje del circuito principal se corresponde con la potencia nominal del aparato antes de ponerlo en funcionamiento.
- Asegúrese de que el aparato se utiliza sobre una superficie estable, nivelada y resistente al calor.
- NO sumerja los cables, enchufes o cualquier parte del aparato en agua o cualquier otro líquido.
- Es necesario supervisar atentamente el uso del aparato por parte de niños o animales domésticos o cerca de ellos.
- Este aparato puede ser utilizado por niños a partir de 8 años y por personas con capacidades físicas, sensoriales o mentales reducidas o con falta de experiencia y conocimientos si han recibido supervisión o instrucciones sobre el uso del aparato de forma segura y comprenden los peligros que conlleva.
- Los niños no deben jugar con el aparato.
- El aparato está homologado para funcionar únicamente en locales secos y cerrados. No utilice el aparato cerca del agua, como en cuartos de baño o piscinas cercanas.
- Evite la exposición a temperaturas extremas (<+5°C / > +35°C), la luz solar directa, la humedad, la arena, el polvo o los golpes mecánicos. No lo deje nunca aparcado al sol.

- **¡PRECAUCIÓN! Ventilación** - El aparato debe colocarse de forma que su ubicación o posición no interfiera con su correcta ventilación.
- El aparato no debe estar sometido a fuertes vibraciones ni a grandes esfuerzos mecánicos.
- No exponga el aparato a una humedad excesiva (por ejemplo, por goteo o rociado de agua).
- No coloque recipientes llenos de líquido, como vasos o jarrones, encima o directamente al lado del aparato. Podrían caerse y provocar la entrada de agua en el aparato. Nunca vierta líquidos por encima del aparato.
- No coloque objetos pequeños, como monedas o clips, sobre el aparato, ya que podrían caer dentro del mismo.
- No coloque nunca el aparato sobre una superficie inestable o móvil. Las personas podrían resultar heridas o el aparato podría resultar dañado si se cayera.
- No coloque llamas desnudas, como las de velas encendidas, encima o cerca del aparato.
- Utilice el aparato sólo en climas moderados, no en ambientes tropicales.
- En vehículos o edificios, la recepción de radio puede ser difícil o ruidosa. Intente escuchar cerca de una ventana.
- Dado que se utiliza un potente imán para el altavoz, mantenga las tarjetas de crédito personales con codificación magnética o los relojes con resorte alejados del aparato para evitar posibles daños causados por el imán.
- Cuando la carcasa se ensucie, límpiela con un paño suave y seco humedecido con una solución de detergente suave. No utilice nunca productos de limpieza abrasivos ni disolventes químicos, ya que podrían deformar la carcasa.
- **¡Precaución!** No permita que los niños pequeños jueguen con la bolsa de plástico, ya que existe peligro de asfixia.

## MEJORA DE LA RECEPCIÓN

**FM:** Extienda la antena telescópica y ajuste la longitud, la dirección y el ángulo para mejorar la recepción.

**Nota:** Ajuste la dirección de la antena sujetándola por la parte inferior. La antena puede sufrir danos si la mueve de forma violenta.

## CONTENIDO DEL PAQUETE

- 1x Radio Altavoz
- 1x cable AUX
- 1x cable de carga USB-C
- 1x Manual de usuario

## DESCRIPCIÓN DEL DISPOSITIVO

- |                        |                               |
|------------------------|-------------------------------|
| 1. Botón ON/OFF        | 2. Puerto de carga USB-C      |
| 3. Indicador de carga  | 4. Puerto USB                 |
| 5. Toma AUX            | 6. MODO                       |
| 7. Pista anterior      | 8. Reproducir/Pausa           |
| 9. Pista siguiente     | 10. Botón de sintonización FM |
| 11. Indicador BT / AUX | 12. Volumen                   |
| 13. Indicador FM / USB |                               |

## ANTES DEL PRIMER USO CARGA LA BATERÍA

- Inserte el conector pequeño del cable de carga USB-C en el puerto de carga (2) de la parte posterior del dispositivo de radio. Inserte el conector grande en el puerto USB de un ordenador, un dispositivo de carga USB o un adaptador USB de 5 V (no incluido) y enchúfelo a una toma de corriente.
- El indicador LED (3) se iluminará en ROJO durante la carga y se apagará cuando esté completamente cargado. Si la carga es baja, se oirá un tono, indicando que el dispositivo de radio necesita ser cargado.

## NOTA IMPORTANTE SOBRE LAS BATERÍAS DE IONES DE LITIO

1. *ANTES de utilizar la unidad por primera vez, cargue completamente la batería*
2. *Cargue la batería regularmente después de cada uso. ¡No espere a que se descargue!*
3. *NO deje que la batería se descargue completamente, de lo contrario perderá el 20% de su capacidad o incluso se dañará totalmente. Si el voltaje es demasiado bajo, los circuitos internos dejarán de funcionar y será imposible recargar la batería.*
4. *Si no utiliza la unidad durante un largo periodo de tiempo, se recomienda cargarla al 40% de su capacidad y comprobarla/cargarla una vez al mes.*

**\*\* LAS BATERÍAS NO ESTÁN CUBIERTAS POR LA GARANTÍA \*\*.**

- ***No nos hacemos responsables de las baterías dañadas debido a la inobservancia de estas normas básicas.***

## OPERACIONES BÁSICAS DE SU RADIO

### Funcionamiento Bluetooth

Esta unidad está equipada con una función Bluetooth que permite reproducir audio de forma inalámbrica desde cualquier dispositivo habilitado para Bluetooth.

Mantenga el dispositivo de radio y el dispositivo Bluetooth a menos de 1m el uno del otro durante el proceso de emparejamiento.

Para conectar la unidad a un dispositivo Bluetooth compatible, siga los siguientes pasos:

- 1) Pulse el botón de encendido/apagado para encender la unidad.

- 2) Pulse el botón M hasta seleccionar el modo Bluetooth. Se escuchará un sonido y el indicador correspondiente de la parte frontal de la unidad parpadeará en azul rápidamente para indicar que se ha seleccionado el modo Bluetooth.
- 3) Enciende tu dispositivo Bluetooth y activa la función Bluetooth.
- 4) Busque y seleccione el dispositivo Bluetooth " **RB-GRE.001A**".
- 5) Si es necesario, introduzca la contraseña "0000" para confirmar y finalizar el emparejamiento.
- 6) Una vez que el dispositivo de radio y su dispositivo se hayan emparejado correctamente, se emitirá una señal acústica.

### **Notas:**

- El altavoz se emparejará automáticamente con los dispositivos previamente emparejados.
- Para conectarte a un nuevo dispositivo, desconecta primero la conexión actual en el dispositivo existente (se oír un aviso sonoro) y luego repite las instrucciones anteriores en el dispositivo diferente.
- Una vez conectado el dispositivo al Bluetooth, utiliza los controles multimedia del dispositivo fuente o el panel de control de la unidad para controlar la reproducción y la salida de volumen. Si controlas la reproducción a través del panel de control de la unidad, utiliza los botones Anterior y Siguiente para avanzar o retroceder en una lista de reproducción, y el botón Reproducir/Pausa para iniciar o interrumpir la reproducción.
- Es posible que los volúmenes de reproducción tengan que ajustarse independientemente en el dispositivo fuente y en la unidad para un rendimiento óptimo de la reproducción.

### **Uso con un dispositivo con cable**

Para utilizar el altavoz como un dispositivo con cable, enchufa un extremo del cable auxiliar de 3,5 en la toma AUX del panel posterior de la unidad y el otro extremo en la toma de auriculares de tu dispositivo u ordenador. Utiliza el control de volumen (12) para ajustar el volumen deseado.

### **Uso de la reproducción USB**

Inserta un dispositivo USB en el puerto USB para reproducir la música almacenada en la unidad. La radio reproducirá automáticamente las canciones del USB. Utilice el botón (7) para cambiar a la canción anterior, el botón (8) para controlar la reproducción y pausar la música, el botón (9) para cambiar a la siguiente canción.

### **Selección de los modos de reproducción**

Esta radio está equipada con Bluetooth, AUX, USB y FM. Pulse el botón M en el panel de control de la unidad para alternar entre los modos de reproducción disponibles. El indicador correspondiente en la parte frontal de la unidad se iluminará para mostrar que se ha seleccionado cada modo, como se indica a continuación:

- El indicador parpadeará en azul rápidamente cuando se seleccione el modo Bluetooth y, a continuación, parpadeará en azul lentamente cuando se conecte un dispositivo Bluetooth.
- El indicador parpadeará en rojo lentamente cuando se seleccione el modo AUX.
- El indicador FM/USB parpadeará en azul lentamente cuando se reproduzca en modo USB y se iluminará en rojo fijo cuando se seleccione el modo FM.
- Pulse de nuevo el modo M cuando se haya seleccionado un modo de reproducción específico para cambiar a un modo diferente.

## **Radio FM**

Para una mejor recepción, extienda la antena FM. Puede que necesite ajustar o posicionar la antena para ciertas emisoras.

Utilice el mando (10) para sintonizar las emisoras FM Para ajustar el volumen, gire el mando VOLUME (12).

## **Ajuste del volumen**

Gire el dial de control de volumen situado en la parte frontal de la unidad mientras ésta está encendida para ajustar el volumen de salida. Gire este dial en el sentido de las agujas del reloj para subir el volumen, o en el sentido contrario para bajarlo.

## **LIMPIEZA**

Limpie la caja de la radio única y exclusivamente con un paño ligeramente humedecido. En caso de suciedad persistente, ponga algunas gotas de un detergente suave en el paño húmedo. Cuide de que al realizar la limpieza no entre humedad en la radio.

## **ADVERTENCIA**

La radio no contiene piezas que el usuario pueda reparar. La garantía queda anulada si se abre la carcasa de la radio. No se asumirá ninguna responsabilidad ni se ofrecerá ninguna garantía por daños debidos a la apertura de la carcasa de la radio, resultantes de intentos de reparación no realizados por expertos cualificados y del uso de la radio para fines distintos a los previstos.

## **DATOS TÉCNICOS**

Modelo.....	RB-GRE.001A
Salida de altavoz: .....	5W
Especificaciones del amplificador: .....	3W
Versión de Bluetooth: .....	5.3
Distancia de transmisión: .....	10m
Relación señal/ruido: .....	≥65db
Frecuencia de transmisión: .....	2402-2480MHz
Max. Potencia de salida RF: .....	4.53dBm
Banda FM: .....	87,5MHz - 108MHz
Tensión de entrada: .....	5V <sup>±</sup> 1A
Batería: .....	Litio 3.7V <sup>±</sup> 1500mAh 5.55Wh

Dimensiones: ..... 232x87x191mm

Peso: ..... ± 635g

## CONFORMIDAD CE



Este producto cumple con los requisitos esenciales de la Directiva de equipos de radio 2014/53/UE y se ha construido de acuerdo con los últimos requisitos de seguridad y salud y los requisitos de protección relacionados con la compatibilidad electromagnética.

## LA ELIMINACIÓN DE LA UNIDAD



### Tenga en cuenta el medio ambiente

Nunca tirar el aparato a la basura normal.

### Este producto cumple con la Directiva Europea 2012/19/EU.

Elimine el aparato a través de una empresa de evacuación de basuras autorizada o por medio del centro de evacuación de basuras municipal.

Tenga en cuenta las normativas actuales en vigor. En caso de duda póngase en contacto con el centro de evacuación de basuras.

El material de embalaje debe desecharse de forma respetuosa con el medio ambiente.

**INDICACIÓN:** Extraiga las baterías antes de deshacerse de la radio. No tire las baterías en la basura doméstica. Entregue las baterías usadas a un centro de recolección de reciclaje apropiado. Las baterías usadas pueden también ser devueltas a la tienda en que se hayan comprado.

## Garantía

### Términos y condiciones de la garantía

1. El producto está garantizado por el período estipulado por la legislación donde se comercializa, a partir de la fecha de compra, contra defectos de fabricación y/o mano de obra. La falta de conformidad que se manifieste dentro de este plazo, presume que existe en la fecha de compra. Después de este período, corresponde al cliente demostrar que la falta de conformidad ya existía en el momento de la entrega.
2. Si, durante el período de garantía, el producto es defectuoso en uso normal, el comprador debe ponerse en contacto con el establecimiento vendedor y enviar el electrodoméstico al lugar indicado por el vendedor.
3. La garantía solo es válida previa presentación de la factura que acredite la compra y el certificado de garantía completado (indicando la fecha de compra, el nombre del distribuidor, la referencia del modelo, y también se recomienda indicar el número de serie y el número de lote).
4. El importador / vendedor se reserva el derecho de rechazar la asistencia de garantía en caso de que dicha información haya sido eliminada o alterada después de la compra original del producto.

5. La responsabilidad del importador/vendedor incluirá, entre otras cosas, los costes de reparación y/o sustitución de la unidad cubierta por la garantía con la reserva del derecho a sustituirla por un producto equivalente, cuando no sea posible repararla.
6. La garantía no se aplica a problemas que no estén directamente relacionados con defectos de material, diseño o mano de obra.
7. Este producto es un electrodoméstico y está destinado solo para uso doméstico. La garantía se anula si el producto se utiliza con fines profesionales.
8. La garantía no cubre los daños causados por mal uso, instalación inadecuada, derrames, factores externos o daños intencionales.
9. La garantía no cubre los daños resultantes de caídas, uso de fuerza excesiva, golpes, exposición a condiciones ambientales extremas o deterioro causado por el uso normal de piezas de plástico o teclados, así como el uso de baterías distintas a las especificadas en este manual.
10. La garantía no cubre la instalación y programación por parte del distribuidor. En particular, no se aceptará ninguna reclamación de instalación y programación gratuita por parte del revendedor.
11. La garantía no cubre deficiencias que perjudiquen insignificadamente el funcionamiento del aparato. Otros costes, como la instalación, el transporte y el desplazamiento del técnico están expresamente excluidos de la garantía.
12. La aplicabilidad de la garantía presupone que el aparato sea enviado al establecimiento vendedor o al lugar indicado por éste, completo y en un embalaje bien protegido (si es posible en su embalaje original) y acompañado de la respectiva hoja o tarjeta de garantía, debidamente cumplimentado y comprobante de compra.
13. Si después de la verificación, se descubre que no hay razones para la reclamación, o que el producto no es defectuoso, los costos inherentes se imputarán al cliente, y el distribuidor está autorizado a cobrar esos costos al cliente.
14. La garantía quedará anulada cuando presente indicios de que una persona no autorizada ha intentado realizar reparaciones, modificaciones o sustitución de piezas en el aparato.
15. Las reparaciones realizadas una vez finalizado el período de garantía incurren en costes.
16. Esta garantía no afecta a sus derechos legales que pueda tener como consumidor en virtud de la legislación nacional aplicable que rige la compra de productos donde se vende el producto.

**17. Período de garantía:**

**Países de la Unión Europea** - Las Directivas Europeas (UE) 2019/771 y (UE) 2019/770 se aplican a ciertos aspectos de los contratos de compraventa de bienes muebles y se transponen a las legislaciones nacionales de sus países.

**Otros países:** se aplica la legislación nacional sobre los derechos de los consumidores en su país. En caso de que no exista legislación oficial, la garantía se aplicará a discreción del importador que introduzca el producto en el mercado o del establecimiento vendedor.

# Français

## Cher Client

Merci d'avoir choisi un produit HÆGER.

Les produits HÆGER ont été fabriqués en pensant au bien-être du consommateur et en privilégiant les normes les plus élevées en matière de qualité, de fonctionnalité et de design. Nous sommes convaincus que vous serez satisfaits de cet appareil.

Avant d'utiliser votre radio pour la première fois, veuillez lire attentivement ces instructions et les conserver pour vous y référer ultérieurement.

## UTILISATION

Cette radio est exclusivement destinée à servir d'appareil de divertissement, de récepteur pour les stations de radio à modulation de fréquence (FM) et uniquement pour un usage privé non commercial.

## INDICATIONS DE SÉCURITÉ

A lire attentivement avant utilisation. Il est important de conserver ce manuel d'instructions avec l'appareil pour pouvoir s'y référer ultérieurement. Ces avertissements ont été fournis dans l'intérêt de la sécurité. Vous DEVEZ les lire attentivement avant d'installer ou d'utiliser l'appareil.

- Avant d'utiliser l'appareil, vérifiez que la tension du circuit principal correspond à la tension nominale de l'appareil.
- Veillez à ce que l'appareil soit utilisé sur une surface stable, plane et résistante à la chaleur.
- NE PAS immerger les cordons, les fiches ou toute autre partie de l'appareil dans l'eau ou tout autre liquide.
- Une surveillance étroite est nécessaire lorsque l'appareil est utilisé par ou à proximité d'enfants ou d'animaux domestiques.
- Cet appareil peut être utilisé par des enfants âgés de 8 ans et plus et par des personnes dont les capacités physiques, sensorielles ou mentales sont réduites ou qui manquent d'expérience et de connaissances, à condition qu'ils aient reçu une surveillance ou des instructions concernant l'utilisation de l'appareil en toute sécurité et qu'ils comprennent les risques encourus.
- Les enfants ne doivent pas jouer avec l'appareil.
- L'appareil est homologué pour fonctionner uniquement dans des pièces sèches et fermées. N'utilisez pas l'appareil à proximité de l'eau, comme dans les salles de bains ou à proximité de piscines.
- Évitez d'exposer l'appareil à des températures extrêmes (<+5°C / > +35°C), à la lumière directe du soleil, à l'humidité, au sable, à la poussière ou aux chocs mécaniques. Ne jamais laisser l'appareil dans une voiture garée au soleil.



- **ATTENTION !** Ventilation - L'appareil doit être placé de manière à ce que son emplacement ou sa position n'entrave pas sa bonne ventilation.
- L'appareil ne doit pas être soumis à de fortes vibrations ou à des contraintes mécaniques importantes.
- L'appareil ne doit pas être exposé à une humidité excessive (due à des gouttes d'eau ou à des projections d'eau, par exemple).
- Ne placez pas de récipients remplis de liquide, tels que des verres ou des vases, au-dessus ou à côté de l'appareil. Ils pourraient tomber et faire pénétrer de l'eau dans l'appareil. Ne versez jamais de liquides au-dessus de l'appareil.
- Ne placez pas de petits objets, tels que des pièces de monnaie ou des trombones, sur l'appareil, car ils pourraient tomber à l'intérieur de l'appareil.
- Ne placez jamais l'appareil sur une surface instable ou mobile. Des personnes pourraient être blessées ou l'appareil endommagé s'il tombait.
- Ne placez pas de flammes nues, telles que celles de bougies allumées, sur ou à côté de l'appareil.
- N'utilisez l'appareil que dans un climat modéré, pas dans un environnement tropical.
- Dans les véhicules ou les bâtiments, la réception radio peut être difficile ou bruyante. Essayez d'écouter près d'une fenêtre.
- Le haut-parleur étant équipé d'un aimant puissant, éloignez les cartes de crédit personnelles à codage magnétique ou les montres à ressort de l'appareil afin d'éviter que l'aimant ne les endommage.
- Lorsque le boîtier est sale, nettoyez-le avec un chiffon doux et sec imbibé d'une solution détergente douce. N'utilisez jamais de nettoyeurs abrasifs ou de solvants chimiques, car ils risquent de déformer le boîtier.
- **Attention !** Ne laissez pas les jeunes enfants jouer avec le sac en plastique, car ils risquent de s'étouffer !

## AMÉLIORATION DE LA RÉCEPTION

**FM :** Déployez l'antenne télescopique et réglez la longueur et l'angle pour améliorer la réception.

**Remarque :** Ajustez la direction de l'antenne en le tenant par le bas. L'antenne peut être endommagée si vous la déplacez brutalement.

## CONTENU DE L'EMBALLAGE

1x Haut-parleur Radio

1x Câble AUX

1x Câble de charge USB-C

1x Manuel de l'utilisateur

## DESCRIPTION DE L'APPAREIL

- |                         |                                |
|-------------------------|--------------------------------|
| 1. Bouton ON/OFF        | 2. Port de charge USB-C        |
| 3. Indicateur de charge | 4. Port USB                    |
| 5. Prise AUX            | 6. MODE                        |
| 7. Piste précédente     | 8. Lecture/Pause               |
| 9. Piste suivante       | 10. Bouton de syntonisation FM |
| 11. Indicateur BT / AUX | 12. Volume                     |
| 13. Indicateur FM / USB |                                |

## AVANT LA PREMIÈRE UTILISATION CHARGER LA BATTERIE

- Insérez le petit connecteur du câble de charge USB-C dans le port de charge (2) situé à l'arrière de l'appareil radio. Insérez le grand connecteur dans le port USB d'un ordinateur, d'un dispositif de charge USB ou d'un adaptateur USB 5V (non inclus) et branchez sur une prise murale.
- L'indicateur LED (3) devient ROUGE pendant la charge et s'éteint lorsque la charge est complète. En cas de faible puissance, une tonalité se fait entendre, indiquant que l'appareil radio doit être rechargé.

## REMARQUE IMPORTANTE SUR LES BATTERIES LITHIUM-ION

1. *Avant d'utiliser l'appareil pour la première fois, chargez complètement la batterie.*
2. *Chargez la batterie régulièrement après chaque utilisation. N'attendez pas qu'elle soit déchargée !*
3. *NE PAS laisser la batterie se décharger complètement, sous peine de perdre 20 % de sa capacité, voire d'être totalement endommagée ! Si la tension devient trop faible, les circuits internes ne sont plus alimentés et il devient impossible de recharger la batterie !*
4. *Si vous n'utilisez pas l'appareil pendant une période prolongée, il est recommandé de le charger à 40 % de sa capacité et de le vérifier/charger une fois par mois.*

**\*\* LES BATTERIES NE SONT PAS COUVERTES PAR LA GARANTIE \*\***

- ***Nous ne pouvons être tenus responsables des batteries endommagées suite au non-respect de ces règles de base.***

## LES OPÉRATIONS DE BASE DE VOTRE RADIO

### Fonctionnement de Bluetooth

Cet appareil est équipé d'une fonction Bluetooth qui permet d'écouter de l'audio sans fil à partir de n'importe quel appareil compatible Bluetooth.

Maintenez l'appareil radio et l'appareil Bluetooth à moins d'un mètre l'un de l'autre pendant le processus d'appairage.

Pour connecter l'unité à un appareil Bluetooth compatible, procédez comme suit :

- 1) Appuyez sur le bouton Marche/Arrêt pour allumer l'appareil.

- 2) Appuyez sur le bouton M jusqu'à ce que le mode Bluetooth soit sélectionné. Un signal sonore est émis et le voyant correspondant à l'avant de l'appareil clignote rapidement en bleu pour indiquer que le mode Bluetooth a été sélectionné.
- 3) Allumez votre appareil compatible Bluetooth et activez la fonction Bluetooth.
- 4) Recherchez et sélectionnez le périphérique Bluetooth " **RB-GRE.001A**".
- 5) Si nécessaire, entrez le mot de passe "0000" pour confirmer et finaliser l'appairage.
- 6) Une fois que l'appareil radio et votre appareil sont appariés avec succès, un signal sonore se fait entendre.

### **Remarques :**

- Le haut-parleur s'associe automatiquement aux appareils déjà appariés.
- Pour vous connecter à un nouvel appareil, déconnectez d'abord la connexion en cours sur votre appareil existant (un signal sonore se fait entendre), puis répétez les instructions ci-dessus sur l'autre appareil.
- Une fois l'appareil connecté au Bluetooth, utilisez les commandes multimédias de l'appareil source ou le panneau de commande de l'unité pour contrôler la lecture et le volume. Si vous contrôlez la lecture à partir du panneau de contrôle de l'appareil, utilisez les boutons Précédent et Suivant pour avancer ou reculer dans une liste de lecture, et le bouton Lecture/Pause pour démarrer ou interrompre la lecture.
- Il se peut que les volumes de lecture doivent être réglés indépendamment sur l'appareil source et sur l'unité pour une performance de lecture optimale.

### **Utilisation avec un appareil câblé**

Pour utiliser l'enceinte comme un appareil câblé, branchez une extrémité du câble auxiliaire de 3,5 dans la prise AUX située sur le panneau arrière de l'appareil et l'autre extrémité dans la prise casque de votre appareil ou de votre ordinateur. Utilisez la commande de volume (12) pour régler le volume souhaité.

### **Utilisation de la lecture USB**

Insérez un périphérique USB dans le port USB pour lire la musique stockée sur le disque. La radio lit automatiquement les morceaux stockés sur le périphérique USB. Utilisez le bouton (7) pour passer à la chanson précédente, le bouton (8) pour contrôler la lecture et la pause de la musique, le bouton (9) pour passer à la chanson suivante.

### **Sélection des modes de lecture**

Cette radio est équipée des modes de lecture Bluetooth, AUX, USB et FM. Appuyez sur la touche M du panneau de commande de l'appareil pour passer d'un mode de lecture à l'autre. L'indicateur correspondant à l'avant de l'appareil s'allume pour indiquer que chaque mode a été sélectionné, comme suit :

- L'indicateur clignote rapidement en bleu lorsque le mode Bluetooth est sélectionné, puis clignote lentement en bleu lorsqu'un appareil Bluetooth est connecté.
- Le voyant clignote lentement en rouge lorsque le mode AUX est sélectionné.
- L'indicateur FM/USB clignote lentement en bleu lorsque l'appareil est en mode USB et s'allume en rouge fixe lorsque le mode FM est sélectionné.

- Appuyez à nouveau sur le mode M lorsqu'un mode de lecture spécifique a été sélectionné pour passer à un autre mode.

## **Radio FM**

Pour une meilleure réception, déployez l'antenne FM. Il peut être nécessaire de régler ou de positionner l'antenne pour certaines stations.

Utilisez le bouton (10) pour régler les stations FM. Pour régler le volume, tournez le bouton VOLUME (12).

## **Réglage du volume**

Tournez la molette de réglage du volume située à l'avant de l'appareil lorsque celui-ci est allumé pour régler le volume de sortie. Tournez cette molette dans le sens des aiguilles d'une montre pour augmenter le volume, ou dans le sens inverse des aiguilles d'une montre pour le diminuer.

## **NETTOYAGE**

Nettoyez le boîtier de la radio uniquement avec un chiffon légèrement humide. En cas de taches agressives, versez sur le chiffon légèrement humide quelques gouttes de produit vaisselle douce. Veillez à ce que l'humidité ne pénètre pas dans la radio lors du nettoyage !

## **ATTENTION**

La radio ne comprend pas de pièces pouvant être réparées par l'utilisateur. Si le boîtier de la radio a été ouvert, la garantie prend fin ! Nous ne prenons en charge aucune responsabilité ni garantie pour des dommages causés par l'ouverture du boîtier de la radio des tentatives de réparation qui n'ont pas été effectuées par du personnel spécialisé qualifié ou par une utilisation non conforme à la destination de la radio.

## **DONNÉES TECHNIQUES**

Modèle : .....	RB-GRE.001A
Sortie haut-parleur : .....	5W
Spécifications de l'amplificateur : .....	3W
Versión Bluetooth : .....	5.3
Distance de transmission : .....	10m
Rapport signal/bruit : .....	≥65db
Fréquence de transmission : .....	2402-2480MHz
Puissance de sortie RF max. : .....	4.53dBm
Bande FM : .....	87.5MHz - 108MHz
Tension d'entrée : .....	5V <sup>±</sup> 1A
Batterie : .....	Lithium 3.7V <sup>±</sup> 1500mAh 5.55Wh
Dimensions : .....	232x87x191mm
Poids : .....	± 635g

## CONFORMITÉ CE



Ce produit est conforme aux exigences essentielles de la directive sur les équipements radioélectriques 2014/53/EU et a été construit conformément aux dernières exigences en matière de santé et de sécurité et aux exigences de protection en matière de compatibilité électromagnétique.

## MISE AU REBUT



### Rappelons de notre environnement

L'appareil ne doit jamais être jeté dans la poubelle domestique normale.

**Ce produit est soumis à la directive européenne 2012/19/EU.**

Éliminez l'appareil par l'intermédiaire d'une entreprise de traitement des déchets autorisée ou via le service de recyclage de votre commune.

Veuillez respecter les règlements actuellement en vigueur. En cas de doutes, contactez votre organisation de recyclage.

Procédez à une élimination des matériaux d'emballage respectueuse de l'environnement.

**REMARQUE :** Enlevez dans tous les cas les piles avant d'éliminer la balance et/ou la télécommande à écran. Ne jetez pas les piles dans les ordures ménagères ! Déposez les piles usagées à un point de récupération ou d'élimination. Les piles usagées peuvent également être rendues dans le magasin où elles ont été achetées.

## Garantie

### Termes et conditions de la garantie

1. Le produit est garanti pour la période stipulée par la législation où il est mis sur le marché, à compter de la date d'achat, contre les défauts de fabrication et/ou de main d'œuvre. Le défaut de conformité manifesté dans ce délai est présumé exister à la date d'achat. Passé ce délai, il appartient au client de prouver que le défaut de conformité existait déjà au moment de la livraison.
2. Si, pendant la période de garantie, le produit est défectueux en utilisation normale, l'acheteur doit contacter l'établissement de vente et envoyer l'appareil à l'endroit indiqué par le vendeur.
3. La garantie n'est valable que sur présentation de la facture prouvant l'achat et du certificat de garantie complété (indiquant la date d'achat, le nom du revendeur, la référence du modèle, et il est également recommandé d'indiquer le numéro de série et le numéro de lot).
4. L'importateur/vendeur se réserve le droit de refuser l'assistance de garantie dans le cas où ces informations ont été supprimées ou modifiées après l'achat initial du produit.
5. La responsabilité de l'importateur/vendeur comprend, entre autres, les frais de réparation et/ou de remplacement de l'unité couverte par la garantie avec la réserve du droit de la remplacer par un produit équivalent, lorsqu'il n'est pas possible de la réparer.
6. La garantie ne s'applique pas aux problèmes qui ne sont pas directement liés à des défauts de matériau, de conception ou de fabrication.

7. Ce produit est un appareil et est destiné à un usage domestique uniquement. La garantie expirera si le produit est utilisé à des fins professionnelles.
8. La garantie ne couvre pas les dommages causés par une mauvaise utilisation, une mauvaise installation, un déversement, des facteurs externes ou des dommages intentionnels.
9. La garantie ne couvre pas les dommages résultant de chutes, de l'utilisation d'une force excessive, des coups, de l'exposition à des conditions environnementales extrêmes ou de la détérioration causée par l'utilisation normale de pièces en plastique ou de claviers, ainsi que l'utilisation de batteries autres que celles spécifiées dans ce manuel.
10. La garantie ne couvre pas l'installation et la programmation par le concessionnaire. En particulier, aucune réclamation pour l'installation et la programmation gratuite par le revendeur ne peut être acceptée.
11. La garantie ne couvre pas les défauts qui nuisent de manière insignifiante au fonctionnement de l'appareil. Les autres frais, tels que l'installation, le transport et le déplacement du technicien sont expressément exclus de la garantie.
12. L'applicabilité de la garantie suppose que l'appareil soit envoyé à l'établissement du vendeur ou à l'endroit indiqué par celui-ci, complet et dans un emballage bien protégé (si possible dans son emballage d'origine) et accompagné de la feuille ou de la carte de garantie respective, dûment rempli et d'une preuve d'achat.
13. Si, après vérification, il s'avère qu'il n'y a aucune raison pour la réclamation, ou que le produit n'est pas défectueux, les coûts inhérents seront imputés au client, et le revendeur est autorisé à facturer ces coûts au client.
14. La garantie sera annulée lorsqu'elle montre des signes qu'une personne non autorisée a tenté d'effectuer des réparations, des modifications ou le remplacement de pièces sur l'appareil.
15. Les réparations effectuées après la fin de la période de garantie sont soumises à des frais.
16. Cette garantie n'affecte pas vos droits légaux que vous pouvez avoir en tant que consommateur en vertu de la législation nationale applicable régissant l'achat de produits lorsque le produit est vendu.
17. **Période de garantie :**
  - Pays de l'Union Européenne** - Les directives européennes (UE) 2019/771 et (UE) 2019/770 s'appliquent à certains aspects des contrats d'achat et de vente de biens meubles et transposées dans les législations nationales de leurs pays.
  - Autres pays** - la législation nationale sur les droits des consommateurs dans leur pays s'applique. En l'absence de législation officielle, la garantie est appliquée à la discrétion de l'importateur qui met le produit sur le marché ou de l'établissement du vendeur.

# Ελληνικά

## Αγαπητός πελάτης

Σας ευχαριστούμε που επιλέξατε ένα προϊόν της HÆGER.

Τα προϊόντα της HÆGER έχουν παραχθεί με γνώμονα την ευημερία του καταναλωτή, με προτεραιότητα τα πιο υψηλά πρότυπα ποιότητας, λειτουργικότητας και σχεδιασμού. Είμαστε σίγουροι ότι θα μείνετε ευχαριστημένοι με αυτή τη συσκευή.

Πριν χρησιμοποιήσετε το ραδιόφωνό σας για πρώτη φορά, παρακαλούμε διαβάστε προσεκτικά τις παρούσες οδηγίες και φυλάξτε τις για μελλοντική αναφορά.

## ΣΚΟΠΗ ΧΡΗΣΗ

Αυτό το ραδιόφωνο προορίζεται αποκλειστικά ως συσκευή ψυχαγωγίας, ως δέκτης για ραδιοφωνικούς σταθμούς διαμόρφωσης συχνότητας (FM) και μόνο για ιδιωτική μη εμπορική χρήση.

## ΟΔΗΓΙΕΣ ΑΣΦΑΛΕΙΑΣ

Διαβάστε προσεκτικά πριν από τη χρήση. Είναι σημαντικό το παρόν εγχειρίδιο οδηγιών να φυλάσσεται μαζί με τη συσκευή για μελλοντική αναφορά. Αυτές οι προειδοποιήσεις παρέχονται για λόγους ασφαλείας. ΠΡΕΠΕΙ να τις διαβάσετε προσεκτικά πριν από την εγκατάσταση ή τη χρήση.

- Ελέγξτε ότι η τάση του κεντρικού κυκλώματος αντιστοιχεί στην ονομαστική τιμή της συσκευής πριν από τη λειτουργία.
- Βεβαιωθείτε ότι η συσκευή χρησιμοποιείται σε σταθερή, επίπεδη και ανθεκτική στη θερμότητα επιφάνεια.
- ΜΗΝ βυθίζετε τα καλώδια, τα βύσματα ή οποιοδήποτε μέρος της συσκευής σε νερό ή οποιοδήποτε άλλο υγρό.
- Απαιτείται στενή επίβλεψη όταν οποιαδήποτε συσκευή χρησιμοποιείται από ή κοντά σε παιδιά ή κατοικίδια ζώα.
- Αυτή η συσκευή μπορεί να χρησιμοποιηθεί από παιδιά ηλικίας από 8 ετών και άνω και από άτομα με μειωμένες σωματικές, αισθητηριακές ή διανοητικές ικανότητες ή έλλειψη εμπειρίας και γνώσεων, εφόσον έχουν λάβει επίβλεψη ή οδηγίες σχετικά με τη χρήση της συσκευής με ασφαλή τρόπο και κατανοούν τους κινδύνους που ενέχει.
- Τα παιδιά δεν πρέπει να παίζουν με τη συσκευή.
- Η συσκευή έχει εγκριθεί για λειτουργία μόνο σε ξηρούς, κλειστούς χώρους. Μην λειτουργείτε τη συσκευή κοντά σε νερό, όπως σε μπάνια ή σε κοντινές πισίνες.
- Αποφύγετε την έκθεση σε ακραίες θερμοκρασίες (<+5°C / > +35°C), άμεσο ηλιακό φως, υγρασία, άμμο, σκόνη ή μηχανικούς κραδασμούς. Ποτέ μην αφήνετε τη συσκευή σε αυτοκίνητο σταθμευμένο κάτω από τον ήλιο.

- ΠΡΟΣΟΧΗ! Εξαερισμός - Η συσκευή θα πρέπει να τοποθετηθεί έτσι ώστε η θέση ή η θέση της να μην παρεμποδίζει τον κατάλληλο εξαερισμό της.
- Η συσκευή δεν πρέπει να υποβάλλεται σε ισχυρούς κραδασμούς ή σε μεγάλη μηχανική καταπόνηση.
- Η συσκευή δεν πρέπει να εκτίθεται σε υπερβολική υγρασία (π.χ. λόγω στάγδην ή ψεκασμένου νερού).
- Μην τοποθετείτε πάνω ή ακριβώς δίπλα στη συσκευή δοχεία γεμάτα με υγρά, όπως ποτήρια ή βάζα. Θα μπορούσαν να πέσουν, προκαλώντας την είσοδο νερού στη συσκευή. Μην αδειάζετε ποτέ υγρά πάνω από τη συσκευή.
- Μην τοποθετείτε μικρά αντικείμενα, όπως κέρματα ή συνδετήρες, πάνω στη συσκευή, καθώς θα μπορούσαν να πέσουν μέσα στη συσκευή.
- Ποτέ μην τοποθετείτε τη συσκευή σε ασταθή ή κινητή επιφάνεια. Μπορεί να τραυματιστούν άτομα ή να καταστραφεί η συσκευή από την πτώση της.
- Μην τοποθετείτε γυμνές φλόγες, όπως αυτές των αναμμένων κεριών, πάνω ή δίπλα στη συσκευή.
- Χρησιμοποιείτε τη συσκευή μόνο σε ήπιο κλίμα και όχι σε τροπικά περιβάλλοντα.
- Σε οχήματα ή κτίρια, η ραδιοφωνική λήψη μπορεί να είναι δύσκολη ή θορυβώδης. Δοκιμάστε να ακούσετε κοντά σε ένα παράθυρο.
- Δεδομένου ότι χρησιμοποιείται ένας ισχυρός μαγνήτης για το ηχείο, κρατήστε τις προσωπικές πιστωτικές κάρτες που χρησιμοποιούν μαγνητική κωδικοποίηση ή τα ρολόγια με ελατήριο μακριά από τη συσκευή για να αποφύγετε πιθανή ζημιά από το μαγνήτη.
- Όταν το περίβλημα λερωθεί, καθαρίστε το με ένα μαλακό στεγνό πανί που έχετε βρέξει με ήπιο απορρυπαντικό διάλυμα. Ποτέ μη χρησιμοποιείτε λειαντικά καθαριστικά ή χημικούς διαλύτες, καθώς μπορεί να παραμορφώσουν το περίβλημα.
- Προσοχή! Μην αφήνετε μικρά παιδιά να παίζουν με την πλαστική σακούλα, καθώς υπάρχει κίνδυνος ασφυξίας!

## ΒΕΛΤΙΩΣΗ ΤΗΣ ΥΠΟΔΟΧΗΣ

**FM:** Επεκτείνετε την τηλεσκοπική κεραία και ρυθμίστε τη γωνία για βέλτιστη λήψη.

**Σημείωση:** Ρυθμίστε την κατεύθυνση της κεραίας κρατώντας το κάτω μέρος της. Η κεραία μπορεί να υποστεί ζημιά όταν μετακινείτε την κεραία με υπερβολική δύναμη.

## ΠΕΡΙΕΧΟΜΕΝΟ ΤΗΣ ΣΥΣΚΕΥΑΣΙΑΣ

1x Ραδιόφωνο ηχείων

1x καλώδιο AUX

1x καλώδιο φόρτισης USB-C

1x Εγχειρίδιο χρήσης



## ΠΕΡΙΓΡΑΦΗ ΤΗΣ ΣΥΣΚΕΥΗΣ

- |                        |                              |
|------------------------|------------------------------|
| 1. Κουμπί ON/OFF       | 2. Θύρα φόρτισης USB-C       |
| 3. Ένδειξη φόρτισης    | 4. Θύρα USB                  |
| 5. Υποδοχή AUX         | 6. MODE                      |
| 7. Προηγούμενο κομμάτι | 8. Αναπαραγωγή/Παύση         |
| 9. Επόμενο κομμάτι     | 10. Ρυθμιστής συντονισμού FM |
| 11. Ένδειξη BT / AUX   | 12. Ένταση ήχου              |
| 13. Ένδειξη FM / USB   |                              |

## ΠΡΙΝ ΑΠΟ ΤΗΝ ΠΡΩΤΗ ΧΡΗΣΗ ΦΟΡΤΙΣΤΕ ΤΗΝ ΜΠΑΤΑΡΙΑ

- Εισάγετε το μικρό βύσμα του καλωδίου φόρτισης USB-C στη θύρα φόρτισης (2) στο πίσω μέρος της ραδιοσυσκευής. Εισάγετε το μεγάλο βύσμα στη θύρα USB ενός υπολογιστή, μιας συσκευής φόρτισης USB ή ενός προσαρμογέα USB 5V (δεν περιλαμβάνεται) και συνδέστε το σε μια πρίζα.
- Η ενδεικτική λυχνία LED (3) θα γίνει ΚΟΚΚΙΝΗ κατά τη φόρτιση και θα σβήσει όταν φορτιστεί πλήρως. Σε χαμηλή ισχύ, θα ακουστεί ένας τόνος, που υποδεικνύει ότι η ραδιοσυσκευή πρέπει να φορτιστεί.

## ΣΗΜΑΝΤΙΚΗ ΣΗΜΕΙΩΣΗ ΓΙΑ ΤΙΣ ΜΠΑΤΑΡΙΕΣ ΙΟΝΤΩΝ ΛΙΘΙΟΥ

1. ΠΡΙΝ χρησιμοποιήσετε τη μονάδα για πρώτη φορά, παρακαλούμε φορτίστε πλήρως την μπαταρία
2. Φορτίζετε την μπαταρία τακτικά μετά από κάθε χρήση. Μην περιμένετε μέχρι να αποφορτιστεί!
3. ΜΗΝ αφήνετε την μπαταρία να αποφορτιστεί εντελώς, διαφορετικά θα χάσει το 20% της χωρητικότητάς της ή και θα καταστραφεί εντελώς! Εάν η τάση γίνει πολύ χαμηλή, τα εσωτερικά κυκλώματα δεν τροφοδοτούνται πλέον και θα καταστεί αδύνατη η επαναφόρτιση της μπαταρίας!
4. Εάν δεν χρησιμοποιείτε τη μονάδα για μεγαλύτερο χρονικό διάστημα, συνιστάται να τη φορτίζετε στο 40% της χωρητικότητάς της και να την ελέγχετε/φορτίζετε μία φορά το μήνα.

**\*\* ΟΙ ΜΠΑΤΑΡΙΕΣ ΔΕΝ ΚΑΛΨΥΠΤΟΝΤΑΙ ΑΠΟ ΤΗΝ ΕΓΓΥΗΣΗ \*\***

- Δεν μπορούμε να θεωρηθούμε υπεύθυνοι για κατεστραμμένες μπαταρίες περαιτέρω λόγω μη τήρησης αυτών των βασικών κανόνων.

## ΒΑΣΙΚΕΣ ΛΕΙΤΟΥΡΓΙΕΣ ΓΙΑ ΤΟ ΡΑΔΙΟΦΩΝΟ ΣΑΣ

### Λειτουργία Bluetooth

Αυτή η μονάδα είναι εξοπλισμένη με λειτουργία Bluetooth, η οποία επιτρέπει την ασύρματη αναπαραγωγή ήχου από οποιαδήποτε συσκευή με δυνατότητα Bluetooth.

Κρατήστε τη ραδιοφωνική συσκευή και τη συσκευή Bluetooth σε απόσταση 1m η μία από την άλλη κατά τη διάρκεια της διαδικασίας σύζευξης.

Για να συνδέσετε τη μονάδα με μια συμβατή συσκευή Bluetooth, εκτελέστε τα ακόλουθα βήματα:

- 1) Πατήστε το κουμπί ενεργοποίησης/απενεργοποίησης για να ενεργοποιήσετε τη μονάδα.
- 2) Πατήστε το κουμπί M μέχρι να επιλεγεί η λειτουργία Bluetooth. Θα ακουστεί μια ηχητική προτροπή και η αντίστοιχη ένδειξη στο μπροστινό μέρος της μονάδας θα φλαβδίσει γρήγορα με μπλε χρώμα για να δείξει ότι έχει επιλεγεί η λειτουργία Bluetooth.
- 3) Ενεργοποιήστε τη συσκευή σας με δυνατότητα Bluetooth και ενεργοποιήστε τη λειτουργία Bluetooth.
- 4) Αναζητήστε και επιλέξτε τη συσκευή Bluetooth " **RB-GRE.001A**".
- 5) Εάν απαιτείται, εισαγάγετε τον κωδικό πρόσβασης "0000" για να confirm και να οριστικοποιήσετε τη σύζευξη.
- 6) Μόλις η ραδιοσυσκευή και η συσκευή σας συζευχθούν επιτυχώς, θα ακουστεί ένα ηχητικό σήμα.

### **Σημειώσεις:**

- Το ηχείο θα συνδεθεί αυτόματα με συσκευές που έχουν ήδη συνδεθεί.
- Για να συνδεθείτε με μια νέα συσκευή, πρώτα αποσυνδέστε την τρέχουσα σύνδεση στην υπάρχουσα συσκευή σας (θα ακουστεί μια ηχητική προτροπή) και στη συνέχεια επαναλάβετε τις παραπάνω οδηγίες στη διαφορετική συσκευή.
- Μόλις η συσκευή συνδεθεί στο Bluetooth, χρησιμοποιήστε τα χειριστήρια πολυμέσων στη συσκευή προέλευσης ή τον πίνακα ελέγχου της μονάδας για να ελέγξετε την αναπαραγωγή και την έξοδο έντασης. Εάν ελέγχετε την αναπαραγωγή μέσω του πίνακα ελέγχου της μονάδας, χρησιμοποιήστε τα κουμπιά Previous (Προηγούμενο) και Next (Επόμενο) για να μεταπηδήσετε προς τα εμπρός ή προς τα πίσω σε μια λίστα αναπαραγωγής και το κουμπί Play/Pause (Αναπαραγωγή/Παύση) για να ξεκινήσετε ή να διακόψετε την αναπαραγωγή.
- Η ένταση της αναπαραγωγής ενδέχεται να πρέπει να ρυθμιστεί ανεξάρτητα στη συσκευή προέλευσης και στη μονάδα για βέλτιστη απόδοση της αναπαραγωγής.

### **Χρήση με ενσύρματη συσκευή**

Για να χρησιμοποιήσετε το ηχείο ως ενσύρματη συσκευή, συνδέστε το ένα άκρο του βοηθητικού καλωδίου 3,5 στην υποδοχή AUX στο πίσω μέρος της μονάδας και το άλλο άκρο στην υποδοχή ακουστικών της συσκευής ή του υπολογιστή σας. Χρησιμοποιήστε το ρυθμιστή έντασης ήχου (12) για να ρυθμίσετε την επιθυμητή ένταση.

### **Χρήση της αναπαραγωγής μέσω USB**

Τοποθετήστε μια συσκευή USB στη θύρα USB για να αναπαράγετε τη μουσική που είναι αποθηκευμένη στη μονάδα. Το ραδιόφωνο θα αναπαράγει αυτόματα τραγούδια από το USB. Χρησιμοποιήστε το κουμπί (7) για να μεταβείτε στο προηγούμενο τραγούδι, το κουμπί (8) για να ελέγξετε την αναπαραγωγή και την παύση της μουσικής, το κουμπί (9) για να μεταβείτε στο επόμενο τραγούδι.

## **Επιλογή τρόπων αναπαραγωγής**

Αυτό το ραδιόφωνο είναι εξοπλισμένο με Bluetooth, AUX, USB και FM. Πατήστε το κουμπί M στον πίνακα ελέγχου της μονάδας για να εναλλάσσετε μεταξύ των διαθέσιμων τρόπων αναπαραγωγής. Η αντίστοιχη ένδειξη στο μπροστινό μέρος της μονάδας θα ανάψει για να δείξει ότι έχει επιλεγεί κάθε λειτουργία, ως εξής:

- Η ένδειξη θα αναβοσβήνει γρήγορα με μπλε χρώμα όταν έχει επιλεγεί η λειτουργία Bluetooth, και στη συνέχεια θα φλαβδίζει αργά με μπλε χρώμα μετά τη σύνδεση μιας συσκευής Bluetooth.
- Η ενδεικτική λυχνία φαίει αργά με κόκκινο χρώμα όταν έχει επιλεγεί η λειτουργία AUX.
- Η ένδειξη FM/USB θα αναβοσβήνει μπλε φως αργά όταν αναπαράγεται στη λειτουργία USB και θα ανάβει σταθερά κόκκινο όταν έχει επιλεγεί η λειτουργία FM.
- Πιέστε ξανά τη λειτουργία M όταν έχει επιλεγεί μια συγκεκριμένη λειτουργία αναπαραγωγής για να μεταβείτε σε μια διαφορετική λειτουργία.

## **Ραδιόφωνο FM**

Για καλύτερη λήψη, επεκτείνετε την κεραία FM. Μπορεί να χρειαστεί να ρυθμίσετε ή να τοποθετήσετε την κεραία για ορισμένους σταθμούς.

Χρησιμοποιήστε το κουμπί (10) για να συντονίσετε τους σταθμούς FM Για τη ρύθμιση της έντασης ήχου γυρίστε το κουμπί VOLUME (12).

## **Ρύθμιση της έντασης ήχου**

Περιστρέψτε τον επιλογέα ρύθμισης της έντασης ήχου στο μπροστινό μέρος της μονάδας ενώ η μονάδα είναι ενεργοποιημένη για να ρυθμίσετε την ένταση εξόδου. Περιστρέψτε αυτόν τον επιλογέα δεξιόστροφα για να αυξήσετε την ένταση ή αριστερόστροφα για να τη μειώσετε.

## **ΚΑΘΑΡΙΣΜΟΣ**

Καθαρίστε το περίβλημα του ραδιοφώνου μόνο χρησιμοποιώντας ένα ελαφρώς υγρό πανί. Για να αφαιρέσετε την επίμονη βρωμιά, προσθέστε μερικές σταγόνες ήπιου υγρού πλύσης πιάτων στο υγρό πανί. Κατά τον καθαρισμό της συσκευής, βεβαιωθείτε ότι δεν υπάρχει υγρασία στο ραδιόφωνο!

## **ΠΡΟΕΙΔΟΠΟΙΗΣΗ**

Το ραδιόφωνο δεν περιέχει εξαρτήματα που μπορούν να συντηρηθούν από τον χρήστη. Η εγγύηση παύει να ισχύει σε περίπτωση ανοίγματος του περιβλήματος του ραδιοφώνου! Καμία ευθύνη δεν αναλαμβάνεται και καμία εγγύηση δεν παρέχεται για ζημιές που οφείλονται στο άνοιγμα του περιβλήματος του ραδιοφώνου, οι οποίες προκύπτουν από προσπάθειες επισκευής που δεν γίνονται από εξειδικευμένους ειδικούς και από χρήση του ραδιοφώνου για σκοπούς διαφορετικούς από τους προβλεπόμενους!

## ΤΕΧΝΙΚΑ ΔΕΔΟΜΕΝΑ

Μοντέλο:.....	RB-GRE.001A
Έξοδος ηχείων: .....	5W
Προδιαγραφές ενισχυτή:.....	3W
Έκδοση Bluetooth: .....	5.3
Απόσταση μετάδοσης: .....	10m
Αναλογία σήματος προς θόρυβο: .....	≥65db
Συχνότητα μετάδοσης: .....	2402-2480MHz
Max. Ισχύς εξόδου RF: .....	4.53dBm
Ζώνη FM: .....	87,5MHz - 108MHz
Τάση εισόδου: .....	5V±1A
Μπαταρία: .....	1500mAh 5.55Wh.
Διαστάσεις: .....	Διαστάσεις: 232x87x191mm
Βάρος: .....	± 635g

## ΣΥΜΜΟΡΦΩΣΗ



Το προϊόν αυτό συμμορφώνεται με τις βασικές απαιτήσεις της οδηγίας 2014/53/ΕΕ για τον ραδιοεξοπλισμό και έχει κατασκευαστεί σύμφωνα με τις τελευταίες απαιτήσεις υγείας και προστασίας και προστασίας που αφορούν την ηλεκτρομαγνητική συμβατότητα.

## ΠΕΡΙΒΑΛΛΟΝ



### Παρακαλώ εξετάστε το περιβάλλον μας

Μην απορρίπτετε τη συσκευή στα συνηθισμένα οικιακά απορρίμματα. Το προϊόν αυτό αποτελεί υποεπιτροπής ευρωπαϊκής κατευθυντήριας γραμμής 2012/19/ΕΥ.

Απορρίψτε τη συσκευή μέσω εγκεκριμένου κέντρου διάθεσης ή στις εγκαταστάσεις αποβλήτων της κοινότητας. Τηρείτε τους ισχύοντες κανονισμούς. Σε περίπτωση αμφιβολίας, επικοινωνήστε με το κέντρο διάθεσης αποβλήτων.

Απορρίψτε όλα τα υλικά συσκευασίας με περιβαλλοντικά υπεύθυνο τρόπο.

**ΣΗΜΕΙΩΣΗ:** Θα πρέπει να αφαιρέσετε όλες τις μπαταρίες πριν απορρίψετε το ραδιόφωνο. Μην απορρίπτετε τις μπαταρίες στα οικιακά απορρίμματα! Επιστρέψτε τις χρησιμοποιημένες μπαταρίες σε κατάλληλο κέντρο συλλογής ανακύκλωσης. Οι χρησιμοποιημένες μπαταρίες μπορούν συνήθως να επιστραφούν στο κατάστημα στο οποίο αγοράστηκαν.

### Όροι και Προϋποθέσεις Εγγύησης

1. Το προϊόν είναι εγγυημένο για την περίοδο που ορίζεται από τη νομοθεσία στην οποία διατίθεται στην αγορά, αρχής γενομένης από την ημερομηνία αγοράς, έναντι κατασκευαστικών ελαττωμάτων ή/και κατασκευής. Η έλλειψη συμμόρφωσης που εκδηλώνεται κατά την περίοδο αυτή τεκμαίρεται ότι υφίσταται κατά την ημερομηνία αγοράς. Μετά από αυτή την περίοδο, εναπόκειται στον πελάτη να αποδείξει ότι η έλλειψη συμμόρφωσης υπήρχε ήδη κατά τη στιγμή της παράδοσης .
2. Εάν, κατά τη διάρκεια της περιόδου εγγύησης, το προϊόν είναι ελαττωματικό σε κανονική χρήση, ο αγοραστής θα πρέπει να επικοινωνήσει με την εγκατάσταση πώλησης και να στείλει τη συσκευή στον τόπο που υποδεικνύεται από τον πωλητή.
3. Η εγγύηση ισχύει μόνο με την προσκόμιση του τιμολογίου που αποδεικνύει την αγορά και το συμπληρωμένο πιστοποιητικό εγγύησης (αναφέροντας την ημερομηνία αγοράς, το όνομα του εμπόρου, την αναφορά του μοντέλου και συνιστάται επίσης να αναφέρετε τον σειριακό αριθμό και τον αριθμό παρτίδας).
4. Ο εισαγωγέας/πωλητής διατηρεί το δικαίωμα να αρνηθεί τη βοήθεια εγγύησης σε περίπτωση που οι πληροφορίες αυτές έχουν διαγραφεί ή τροποποιηθεί μετά την αρχική αγορά του προϊόντος.
5. Η ευθύνη του εισαγωγέα/πωλητή περιλαμβάνει ιδίως τα έξοδα επισκευής ή/και αντικατάστασης της μονάδας που καλύπτεται από την εγγύηση με την επιφύλαξη του δικαιώματος αντικατάστασης της με ισοδύναμο προϊόν, σε περιπτώσεις όπου δεν είναι δυνατή η επισκευή της.
6. Η εγγύηση δεν ισχύει για προβλήματα που δεν σχετίζονται άμεσα με ελαττώματα υλικού, σχεδιασμού ή κατασκευής.
7. Αυτό το προϊόν είναι συσκευή και προορίζεται μόνο για οικιακή χρήση. Η εγγύηση θα είναι άκυρη εάν το προϊόν χρησιμοποιείται για επαγγελματικούς σκοπούς.
8. Η εγγύηση δεν καλύπτει ζημιές που προκαλούνται από κακή χρήση, ακατάλληλη εγκατάσταση, διαρροή, εξωτερικούς παράγοντες ή σκόπιμη ζημιά.
9. Η εγγύηση δεν καλύπτει ζημιές που προκύπτουν από πτώσεις, χρήση υπερβολικής δύναμης, χτυπήματα, έκθεση σε ακραίες περιβαλλοντικές συνθήκες ή φθορά που προκαλείται από την κανονική χρήση πλαστικών μερών ή ηλεκτρολογίων, καθώς και τη χρήση μπαταριών άλλων από αυτές που καθορίζονται στο παρόν εγχειρίδιο.
10. Η εγγύηση δεν καλύπτει την εγκατάσταση και τον προγραμματισμό από τον αντιπρόσωπο. Ειδικότερα, δεν μπορεί να γίνει δεκτή καμία αξίωση εγκατάστασης και δωρεάν προγραμματισμού από τον μεταπωλητή.
11. Η εγγύηση δεν καλύπτει ελλείψεις που επηρεάζουν ασήμαντα τη λειτουργία της συσκευής. Άλλα έξοδα, όπως η εγκατάσταση, η μεταφορά και η μετακίνηση του τεχνικού εξαιρούνται ρητά από την εγγύηση.
12. Η δυνατότητα εφαρμογής της εγγύησης προϋποθέτει ότι η συσκευή αποστέλλεται στον πωλητή ή τον τόπο που υποδεικνύεται από αυτόν, πλήρης και σε καλά προστατευμένη συσκευασία (ει δυνατόν, στην αρχική συσκευασία της) και συνοδεύεται από το φύλλο ή την κάρτα εγγύησης που έχει συμπληρωθεί δεόντως και απόδειξη αγοράς.

13. Εάν μετά την επαλήθευση, διαπιστωθεί ότι δεν υπάρχουν λόγοι για τον ισχυρισμό ή ότι το προϊόν δεν είναι ελαττωματικό, το εγγενές κόστος θα καταλογιστεί στον πελάτη και ο έμπορος εξουσιοδοτείται να χρεώσει αυτά τα έξοδα στον πελάτη.
14. Η εγγύηση θα είναι άκυρη όταν εμφανίζει ενδείξεις ότι ένα μη εξουσιοδοτημένο άτομο έχει επιχειρήσει να πραγματοποιήσει επισκευές, τροποποιήσεις ή αντικατάσταση εξαρτημάτων στη συσκευή.
15. Οι επισκευές που πραγματοποιούνται μετά το τέλος της περιόδου εγγύησης υπόκεινται σε έξοδα.
16. Η παρούσα εγγύηση δεν επηρεάζει τα νόμιμα δικαιώματά σας που ενδέχεται να έχετε ως καταναλωτή σύμφωνα με το εφαρμοστέο εθνικό δίκαιο που διέπει την αγορά προϊόντων όπου πωλείται το προϊόν.

#### **17. Περίοδος εγγύησης:**

**Χώρες της Ευρωπαϊκής Ένωσης** - Οι ευρωπαϊκές οδηγίες (ΕΕ) 2019/771 και (ΕΕ) 2019/770 εφαρμόζονται σε ορισμένες πτυχές των συμβάσεων αγοράς και πώλησης κινητών αγαθών και μεταφέρονται στην εθνική νομοθεσία των χωρών τους.

**Άλλες χώρες** - εφαρμόζεται εθνική νομοθεσία για τα δικαιώματα των καταναλωτών στη χώρα τους. Σε περίπτωση μη επίσημης νομοθεσίας, η εγγύηση εφαρμόζεται κατά τη διακριτική ευχέρεια του εισαγωγέα που διαθέτει το προϊόν στην αγορά ή στην εγκατάσταση πωλητή.



# Meet the family



## **HAEGERTEC, S.A.**

Edifício HAEGER – Pct. Cidade de Londres, 1  
Parque Industrial do Arneiro  
2660-456 S. Julião do Tojal  
PORTUGAL  
<https://www.haegergroup.com>

Tel: +351 21 949 83 00 (PBX)  
Tel: +351 21 949 83 02 (after sales support)  
Fax: +351 21 949 83 25  
e-mail: [assistencia@haegergroup.com](mailto:assistencia@haegergroup.com)  
e-mail: [comercial@haegergroup.com](mailto:comercial@haegergroup.com)



2308RBGRE001A-EU